

SPONSORS AND EXHIBITORS LIST

VENUE MAP

DIAMOND SPONSORS



PLATINUM SPONSORS



SILVER SPONSORS



GENERAL SPONSORS

ALPRO
 Chiropro Italia
 Danone Research
 Dfine Europe
 Eli Lilly
 Laboratoires Expanscience
 Fattoria Petrini
 F.I.R.M.O.
 GE Healthcare
 Hologic
 IBSA-Genevri

IOR
 Medi
 Medtronic
 Mindways
 Roche
 Springer
 VPHOP Project
 Wisepress
 Wyeth



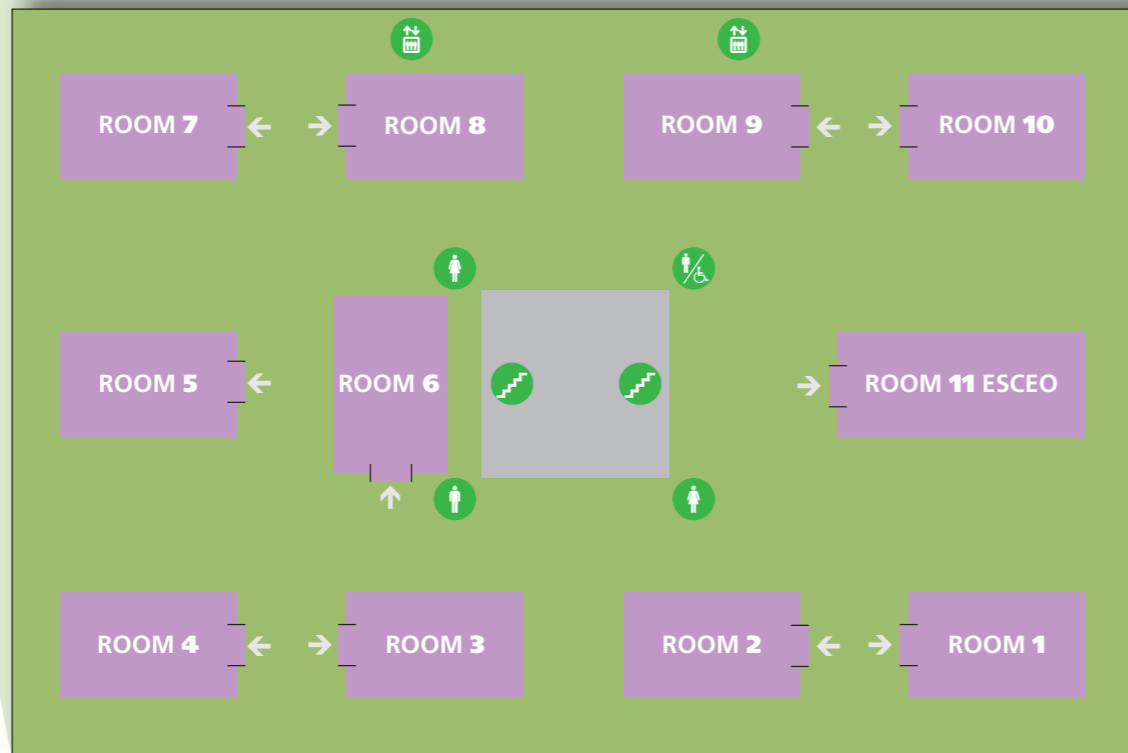
- 1 SPADOLINI PAVILLION**
Plenary Hall B, Posters, Meet-the-Experts, Speaker Preview Room, Exhibition, Registration, Catering
- 2 CAVANIGLIA**
Plenary Hall A
- 3 TEATRINO LORENESE**
- 4 PALAZZINA LORENESE 1st Floor**
IOF-ESCEO Executive Offices, Hospitality Suites
- +** Infirmary

SPADOLINI PAVILLION **GROUND FLOOR**

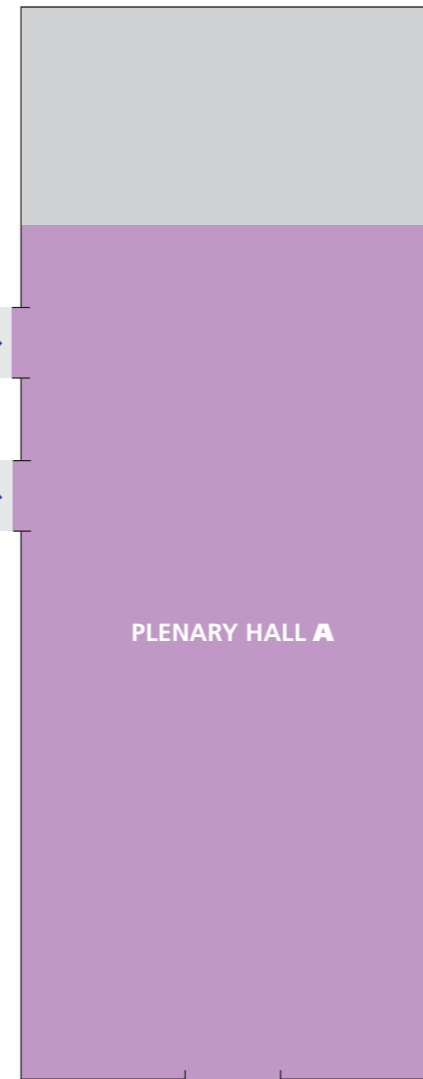


TO TEATRINO LORENESE
↙

SPADOLINI PAVILLION **1ST FLOOR** Meet-the-Experts and ESCEO Sessions



CAVANIGLIA **GROUND FLOOR**



EXHIBITOR LIST

- E1 Rottapharm | Madaus
- E2 Eli Lilly
- E3 Servier
- E4 Novartis
- E5 Amgen
- E6 Hologic
- E7 GE Healthcare
- E8 The Alliance for Better Bone Health
- E9 Wyeth
- E10 Fattoria Petrini
- E11 Danone Research
- E12 ALPRO
- E13 Chiropro Italia
- E14 Medi
- E16 Merck
- E17 Springer
- E18 Dfine Europe
- E19 Mindways
- E20 Roche
- E21 Laboratoires Expanscience
- E24 Wisepress
- E26 F.I.R.M.O.

LEGEND

- 1 FRAX®
- 2 ECCEO11-IOF
- 3 IOF
- 4 ESCEO
- Restrooms
- Organic Food & Beverage
- Snack Bar
- Stairs
- Elevator
- i City Information Desk
- Infirmary
- @ Internet Corner
- € ATM Cash Machine